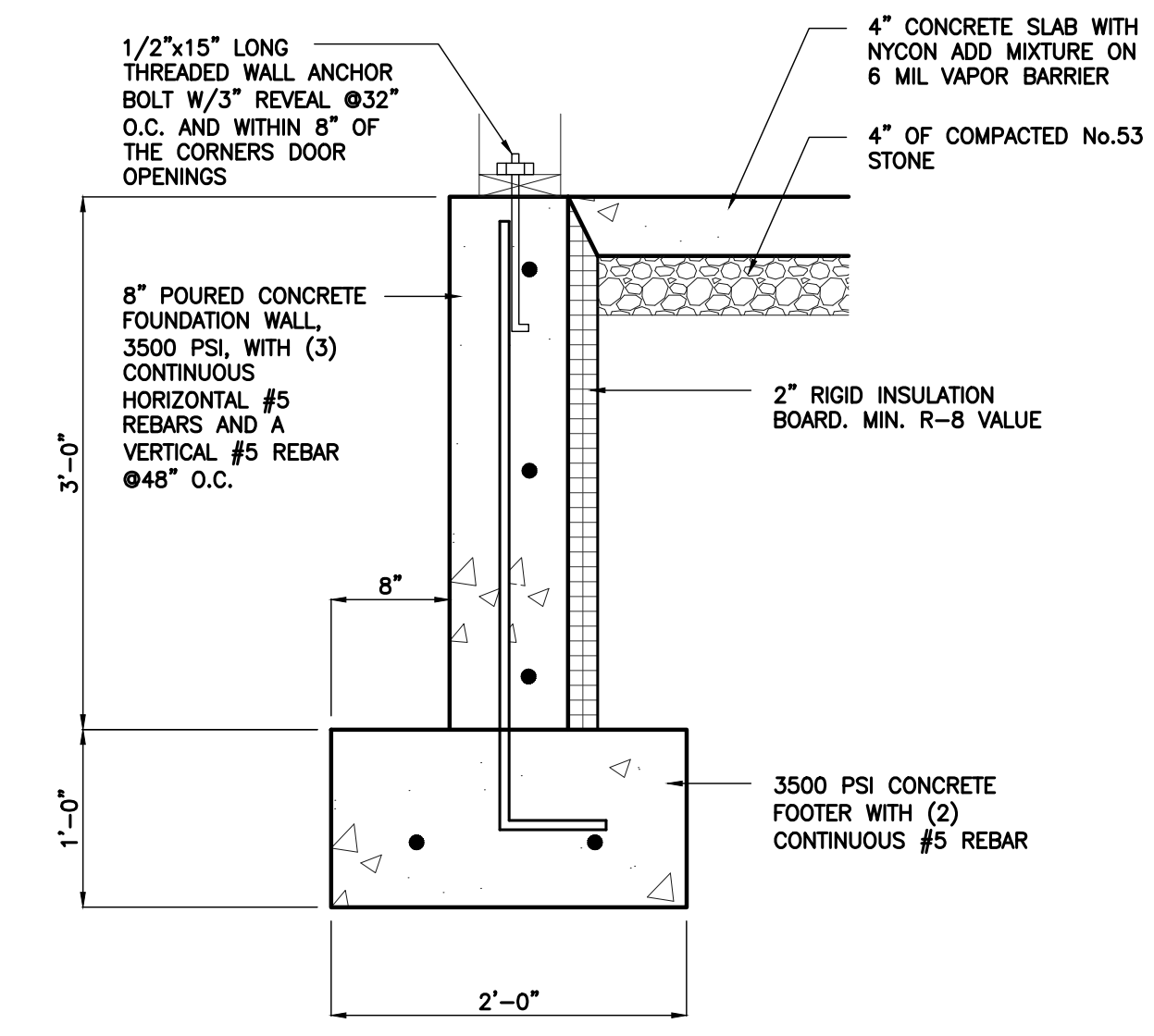
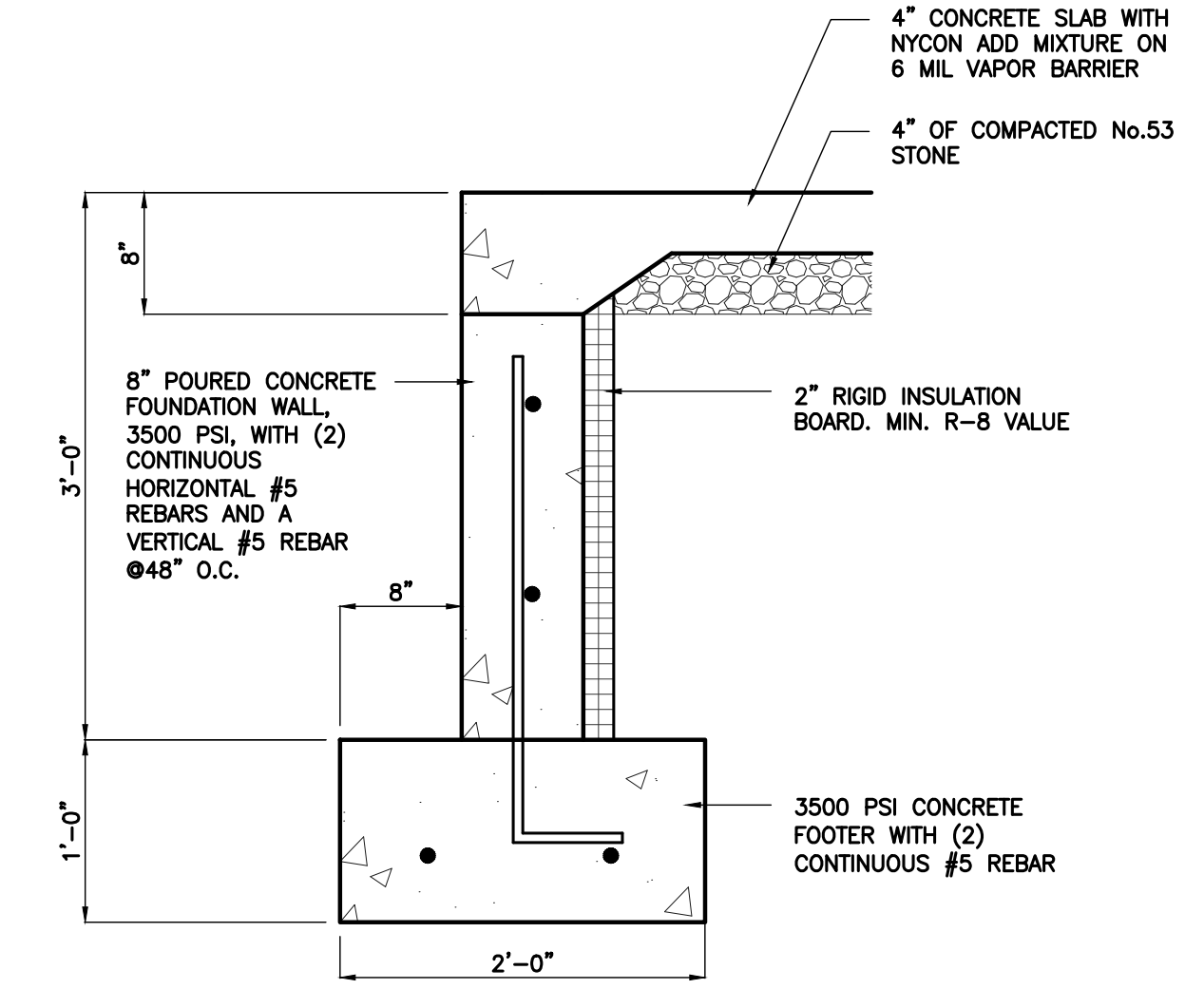


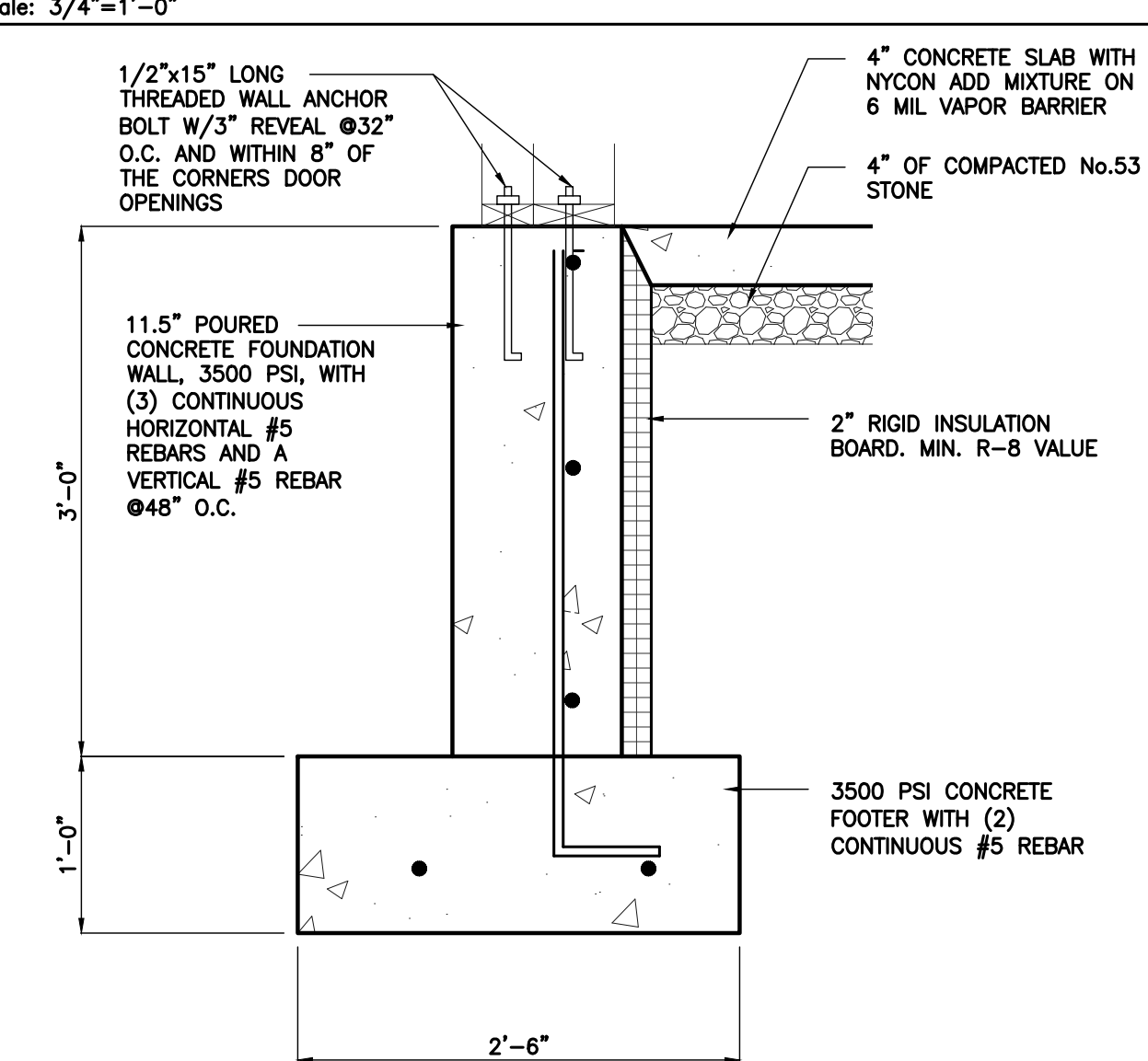
1 FOUNDATION DETAIL
scale: 3/4"=1'-0"



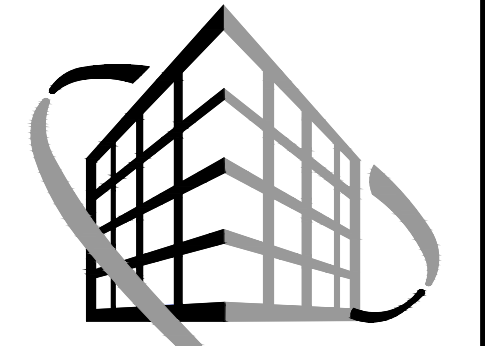
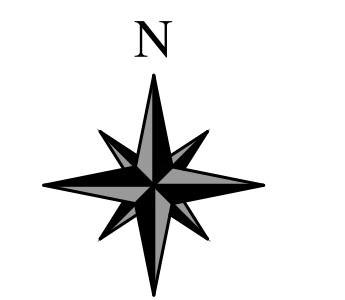
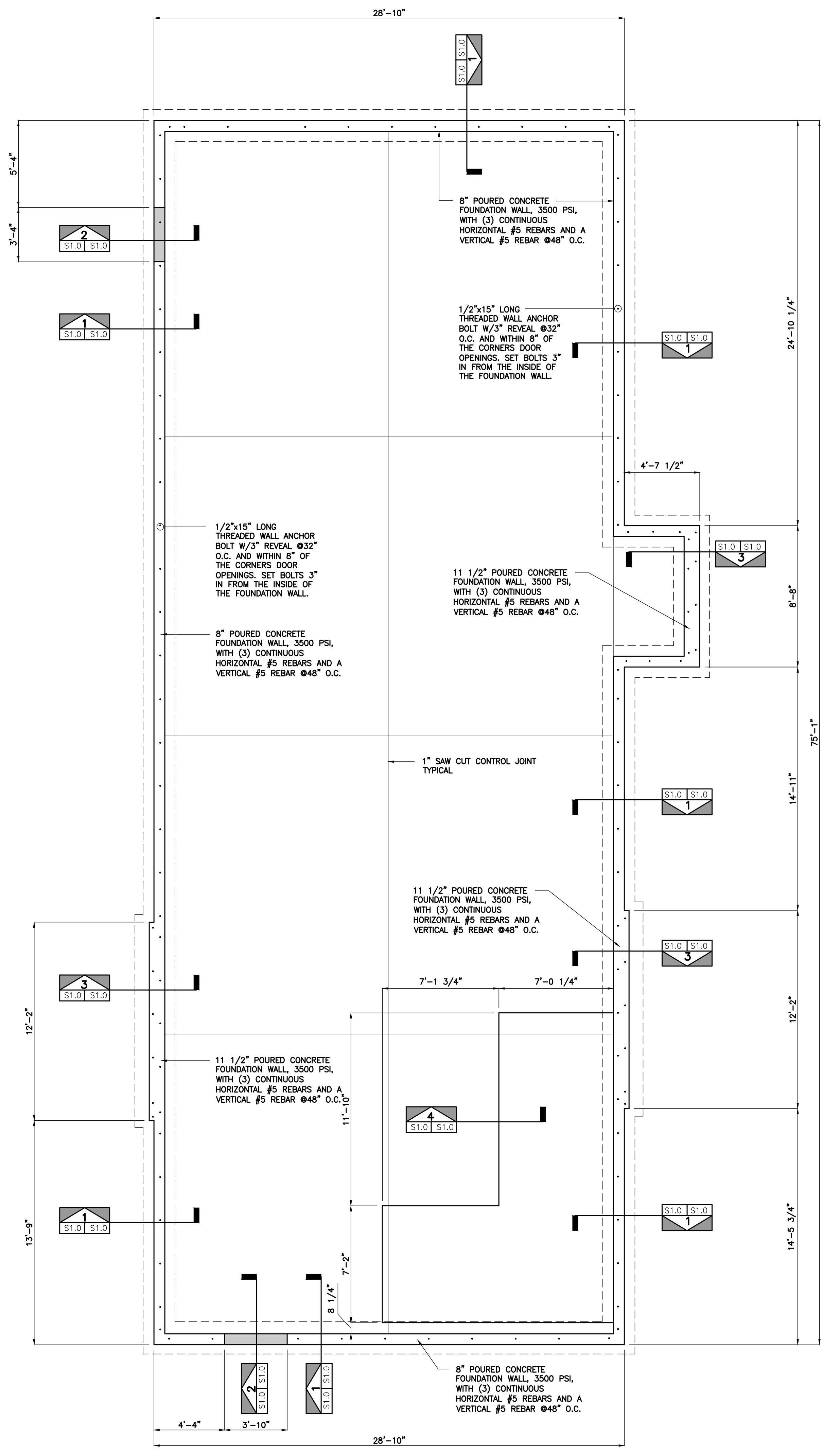
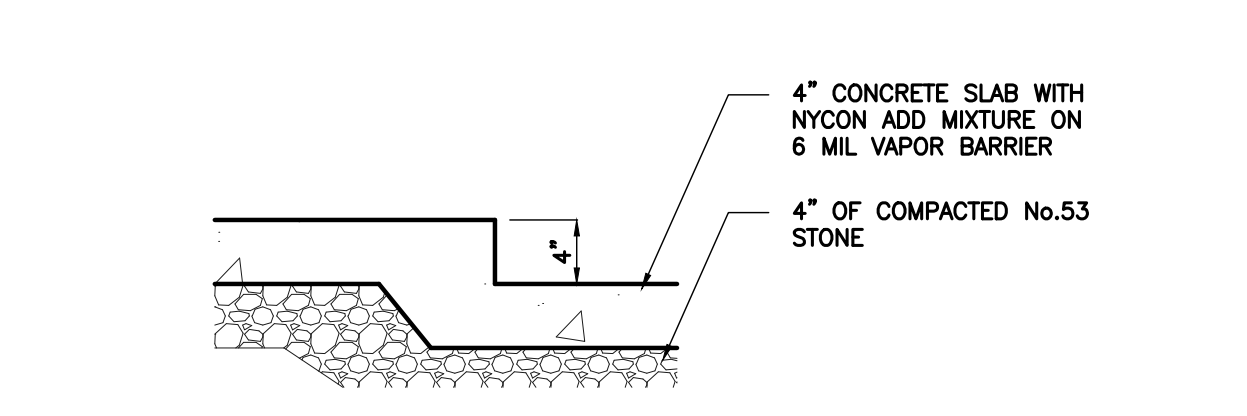
2 FOUNDATION DETAIL
scale: 3/4"=1'-0"



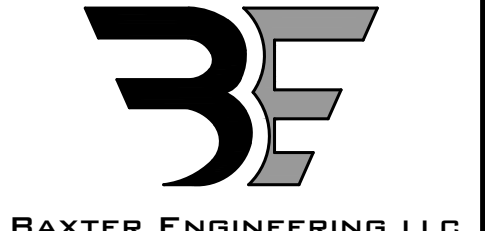
3 FOUNDATION DETAIL
scale: 3/4"=1'-0"



4 FOUNDATION DETAIL
scale: 3/4"=1'-0"



VERSATILE CONSTRUCTION GROUP, LLC.
570 East Tracy Road, Suite 610
New Whiteland, Indiana 46184
Ph: 317.535.3579 Fax: 317.535.3581
email: info@versatile-llc.com



BAXTER ENGINEERING LLC
570 Tracy Road, Suite 610
New Whiteland, IN 46184
Office: 317-535-3579
Cell: 317-509-4142
BaxterEngineeringllc@gmail.com

CERTIFIED BY:

Dunkin'
715 North State Street
North Vernon, Indiana 47265

Foundation Plan

REVISION

Job No.	Date Stamped
24063	11.04.25

Drawn By	Checked By	Scale:
kt	mt	1/4"=1'-0"

CAD FILE:
G:\25063\1.0 foundation plan

THIS DRAWING IS THE PROPERTY OF VERSATILE CONSTRUCTION GROUP, LLC. ANY ALTERATION TO THIS DRAWING IS STRICTLY PROHIBITED WITHOUT THE PRIOR WRITTEN CONSENT AND UNDER THE DIRECTION OF THE PROFESSIONAL LICENSOR WHOSE SEAL IS AFFIXED TO THIS DRAWING.

SHEET TITLE:

S1.0